

# CleanGrip Plastic Anti-Ligature Tether Screw/Nut Assembly Installation

P/N: 116606, 116607, 116608, 116609, 116613

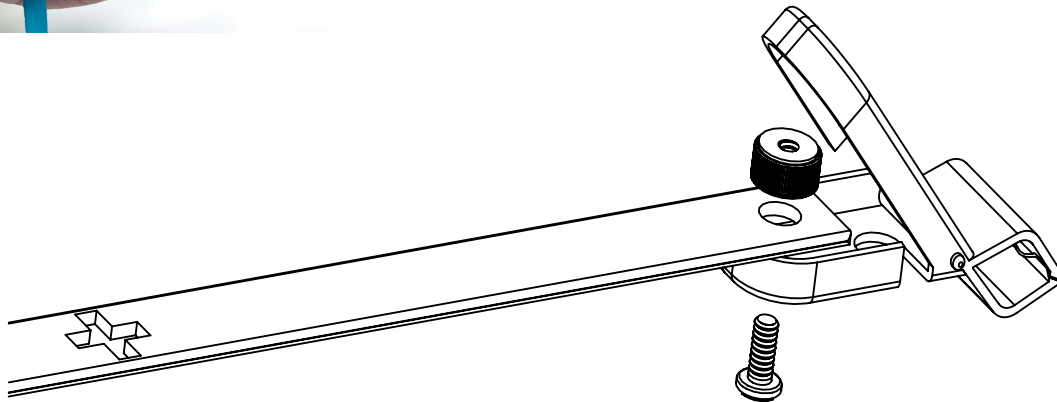
**CREST**  
HEALTHCARE®



## CleanGrip™ Plastic Anti-Ligature Tethers Features & Benefits

Safe and easy to grab, the Crest CleanGrip is a highly visible and cleanable alternative to nylon station pullcords. The CleanGrip tether is constructed of 12 mm wide PVC that is 1.8 mm thick. It is easily disinfected by germicidal detergent, disposable wipes or disinfectant cleaner. The anti-ligature safety feature is created with strategic placement of "breaks" every 4" along the length of the cord when 22 lbs of force is exerted. CleanGrip is available in preassembled configurations, as well as bulk rolls.

- Bulk tether can be cut to any desired length
- Available in red or blue to provide contrast for high visibility



## Typical Installation

- Trim the CleanGrip tether, if needed, in a straight line
- Using a 3/32" drill bit, drill a hole centered 1/4" from the end of the CleanGrip tether
- Insert provided screw through the security clip and CleanGrip hole, as shown
- With black sleeve facing downward, secure the nut to the screw

Crest Technical Support: **1-800-328-8908**

Specifications subject to change without notice.

Visit [CrestHealthcare.com](http://CrestHealthcare.com) for additional technical documents.